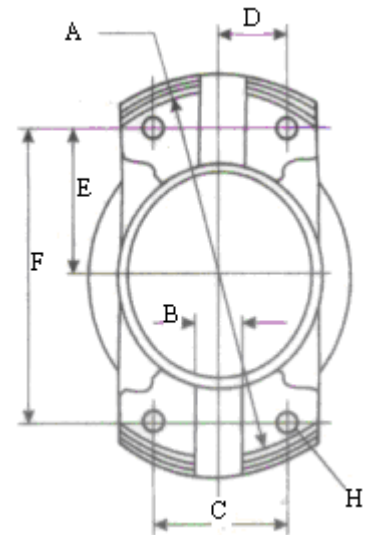


## **MECHANICAL JOINT**

<u><b>JOINT SIZE</b></u>	<u><b>A</b></u>	<u><b>B</b></u>	<u><b>C</b></u>	<u><b>D</b></u>	<u><b>E</b></u>	<u><b>F</b></u>	<u><b>H</b></u>
<b>2C</b>	79.4	9.5	33.32	16.66	29.25	59.53	8.4
<b>3C</b>	90.4	9.5	36.5	18.25	34.9	69.8	8.4
<b>4C</b>	108	9.54	36.52	18.26	43.16	87.32	8.75
<b>5C</b>	115	14.26	42.9	21.45	44.45	88.9	10.5
<b>6C</b>	140.5	14.26	42.9	21.45	57.2	114.3	10.5
<b>7C</b>	148.3	15.85	49.2	21.45	58.74	117.48	13.5
<b>8C</b>	206	15.85	49.2	21.45	87.3	174.6	13.5
<b>8.5C</b>	165	15.85	71.44	35.72	61.92	123.83	13.5
<b>9C</b>	209.5	15.85	71.44	35.72	84.12	168.25	13.5
<b>10C</b>	212.8	25.35	92.1	46.05	82.55	165.1	17
<b>11C</b>	224	25.35	88.9	44.45	86.35	172.7	20
<b>12C</b>	289	25.35	92.1	46.05	120.67	241.35	15
<b>12.5C</b>	280	35	92	46	113.5	227	19
<b>15C</b>	259.6	31.73	99.98	49.99	99.97	199.94	21



## **PART NUMBERS**

<u><b>MECH</b></u>	<u><b>PART NUM</b></u>	<u><b>DESCRIPTION</b></u>	<u><b>MECH</b></u>	<u><b>PART NUM</b></u>	<u><b>DESCRIPTION</b></u>
<b>2C</b>	<a href="#">M951UJ02</a>	ALL TAPPED	<b>6C</b>	<a href="#">M905UJ02</a>	ALL CLEAR
<b>2C</b>	<a href="#">M952UJ02</a>	2 TAP 2 CLEAR	<b>6C</b>	<a href="#">M1550UJ02</a>	1550 S O/C
<b>2C</b>	<a href="#">M994UJ02</a>	ALL CLEAR	<b>7C</b>	<a href="#">M927UJ02</a>	ALL CLEAR
<b>2C</b>	<a href="#">M508UJ02</a>	25.4 X 55.2 I/C	<b>7C</b>	<a href="#">M570 UJ02</a>	ALL TAPPED
<b>3C</b>	<a href="#">M531UJ02</a>	ALL CLEAR	<b>7C</b>	<a href="#">M574UJ02</a>	2 TAP 2 CLEAR
<b>3C</b>	<a href="#">M536UJ02</a>	ALL TAPPED	<b>7C</b>	<a href="#">M1650UJ02</a>	1650 S O/C0
<b>4C</b>	<a href="#">M921UJ02</a>	ALL TAPPED	<b>7.5C</b>	<a href="#">M12HUJ02</a>	ALL CLEAR 4BL
<b>4C</b>	<a href="#">M929UJ02</a>	2 TAP 2 CLEAR	<b>8C</b>	<a href="#">M928UJ02</a>	ALL CLEAR
<b>4C</b>	<a href="#">M969UJ02</a>	ALL CLEAR	<b>8C</b>	<a href="#">M581UJ02</a>	ALL TAPPED
<b>4C</b>	<a href="#">M1410UJ02</a>	1410 S O/C	<b>8C</b>	<a href="#">M583UJ02</a>	2 TAP 2 CLEAR
<b>5C</b>	<a href="#">M933UJ02</a>	2 TAP 2 CLEAR	<b>8.5C</b>	<a href="#">M963UJ02</a>	ALL CLEAR
<b>5C</b>	<a href="#">M968UJ02</a>	ALL CLEAR	<b>8.5C</b>	<a href="#">M785UJ02</a>	ALL TAPPED
<b>5C</b>	<a href="#">M550UJ02</a>	ALL TAPPED	<b>9C</b>	<a href="#">M793.UJ02</a>	ALL TAPPED
<b>5C</b>	<a href="#">M557UJ02</a>	33.3 X 79.2	<b>9C</b>	<a href="#">M792UJ02</a>	2 TAP 2 CLEAR
<b>5C</b>	<a href="#">M5-34UJ02</a>	1410 S O/C	<b>9C</b>	<a href="#">M911UJ02</a>	ALL CLEAR
<b>6C</b>	<a href="#">M563UJ02</a>	2 TAP 2 CLEAR	<b>10C</b>	<a href="#">M988UJ02</a>	ALL CLEAR
<b>6C</b>	<a href="#">M560UJ02</a>	ALL CLEAR	<b>11C</b>	<a href="#">M490UJ02</a>	CLEAR 16mm H
<b>6C</b>	<a href="#">M565UJ02</a>	2 CLEAR 2 CUPS	<b>12C</b>	<a href="#">M490UJ02</a>	CLEAR 19mm H